



ASHOKA EVSE SYSTEM

Ashoka EVSE System is a technology based smart PCS – Public Charging Station manufacturing company located in industrial area Bhosari, Pune, India.

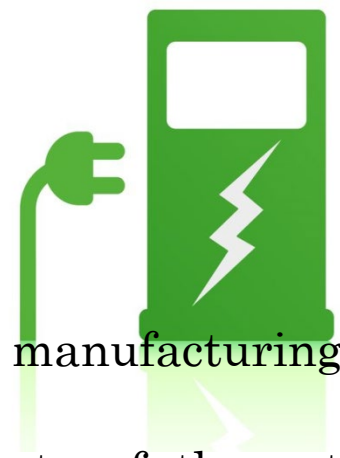


ASHOKA EVSE SYSTEM



TOWARDS GREEN FUTURE

COMPANY PROFILE



- Ashoka System is a technology based smart EV charger manufacturing company located in industrial area Bhosari, Pune, India.
- Established 2015, Ashoka system has developed a State of the art Electronics Manufacturing and Advanced Testing Set-up for manufacturing, installation and commissioning of complete EV Charging Stations.
- The manufacturing of EV Chargers for Public Charging Stations requires highest level of expertise in electronics, electrical and mechanical engineering and Ashoka System has a team of highly expert engineers in these field of engineering.
- Ashoka System is a manufacturer of Electric Vehicle Charging Station Equipments that will be installed along a busy community in Pune India.
- Our aim is to develop chains of EVC stations that will be spread all around PUNE and other major cities in India. We will implement full service, minimum service and self-service as it suits the particular location.

INFRASTRUCTURE

- We Have experience in multiple sectors of engineering in manufacturing. We have our operations at 2 location with more than 15 unique machines.



Design section



Advance Testing facility



CMM quality department



CNC floor



Assembly room



Store

EV CHARGER

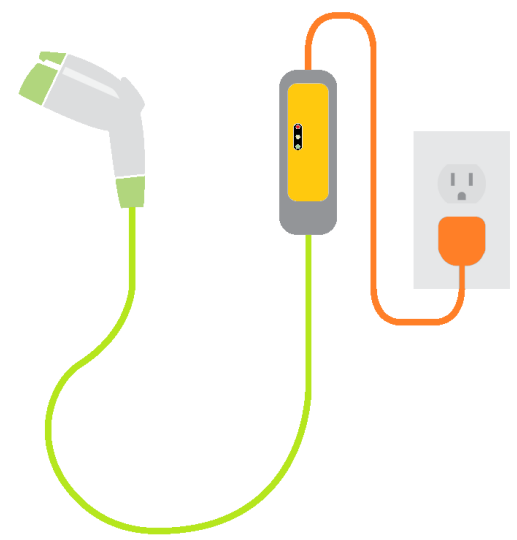


- HOME or COMMERCIAL CHARGER FOR ELECTRIC VEHICLE (AC)
- Optional RFID AND MOBILE APP ACCESS CONTROL
- POWER RATING UPTO 22 KW



COMPACT EV CHARGER

o Portable charger FOR ELECTRIC VEHICLE (AC)
POWER RATING UPTO 7.4 KW

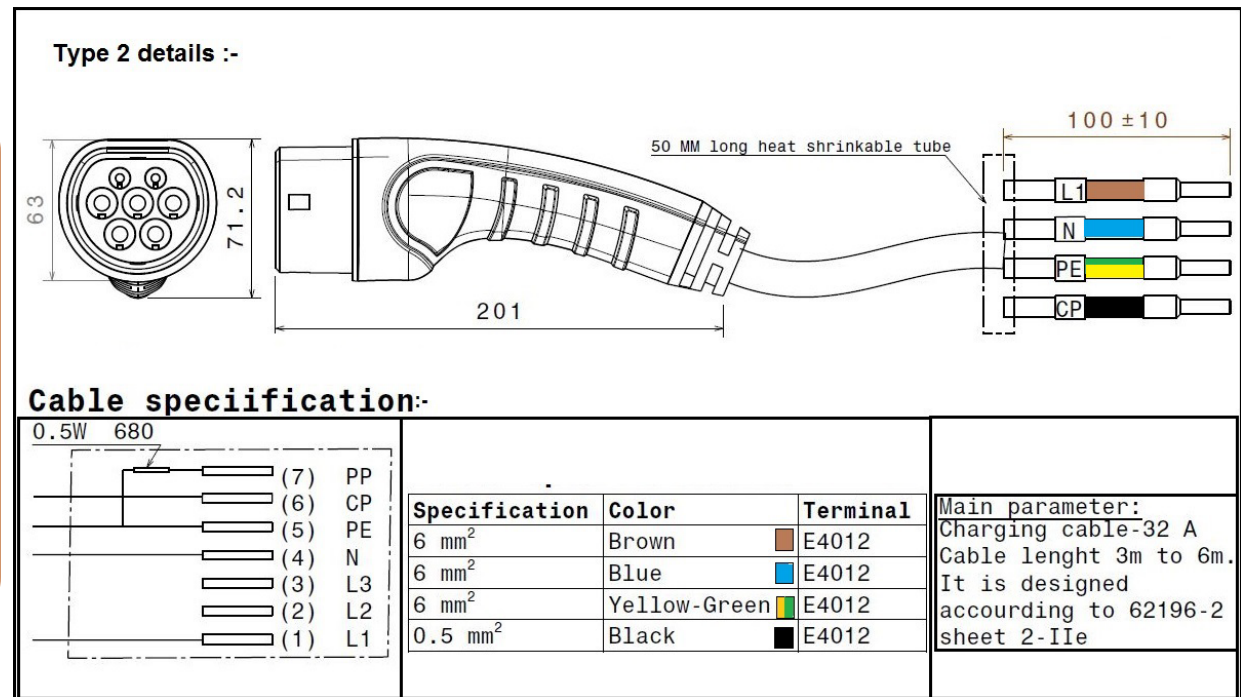


**MADE IN
INDIA**



TYPE 2 PLUG

- We made in-house Type 2 plug(IEC 62196-2). For keeping quality of final product at best.

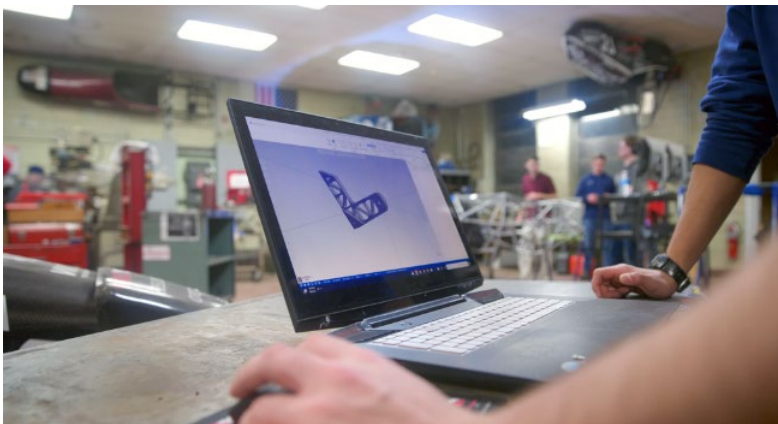


MADE IN INDIA

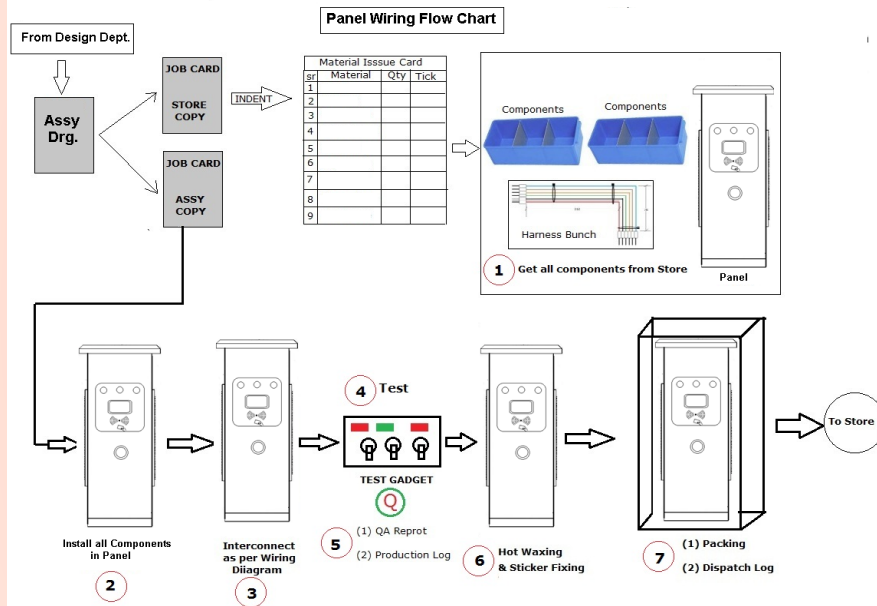


PRODUCT TESTING FACILITY

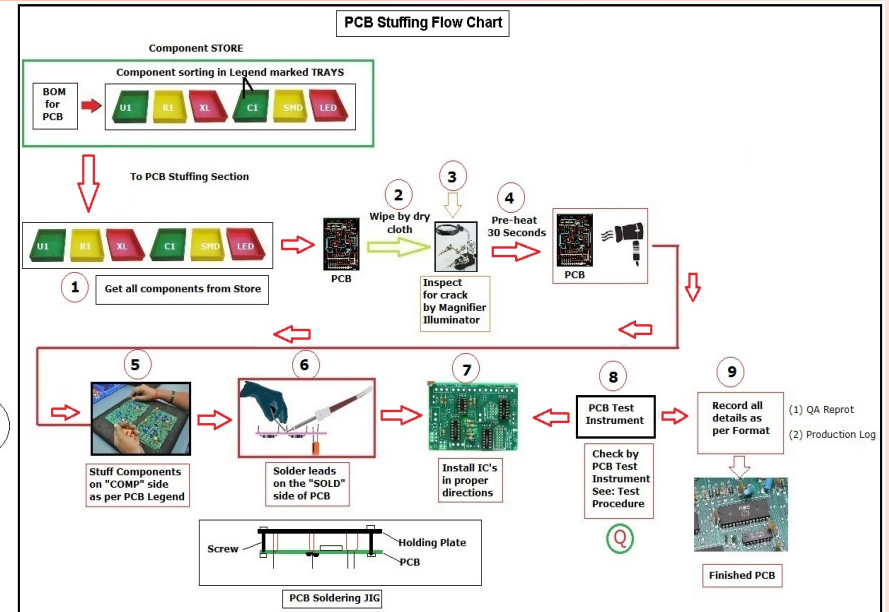
○ We have product testing facility in house and with multiple automated systems for less correction.



ASSEMBLY STRATEGIES FOR MAINTAINING QUALITY



Panel Wiring



PCB Stuffing



PARTICIPATION



Society of Indian Automobile Manufacturers
G01, SC Alpha Tower-I, Sector-9
Vasundhara, Ghaziabad, (U.P.) - 201012
Email: celhimotorshow@siam.in
Website: www.autexpo.in

Ref.(AE20-053)/2019-20
20 November 2019

TO WHOMSOEVER IT MAY CONCERN
CERTIFICATE OF PARTICIPATION

Society of Indian Automobile Manufacturers (SIAM) is organizing the "Auto Expo-The Motor Show 2020", from 5th to 12th February 2020 at India Expo Mart, Greater Noida, Uttar Pradesh.

This is to certify that the following Company/Organisation is a bonafide "Main Exhibitor" at "Auto Expo-The Motor Show 2020" exhibition.

Ashoka System
Plot No. 112/13, 'S' Block
Bhosari
Pune 411028
India

Hall No. : 12
Stall No. : N-14

It is requested that the Main Exhibitor Company may please be given necessary assistance for their participation at Auto Expo - The Motor Show 2020.

For SIAM

Authorised Signatory

Organizers



Assisted by



CONTACT US

- **Ashoka EVSE system LLP.**
- **Address :- Plot no. 112/13 S block M.I.D.C.
Bhosari pune -411026.**
- **Google map :- JRFR+2C Pune, Maharashtra.**

THANK YOU !

